

PVC-U System

Spectus **Ovolo** Windows and Doors



EpwinTM
window systems

The forefront of PVC-U system design since 1981

The Spectus Ovolo System is the PVC-U window and door system of choice for homeowners, builders and architects up and down the country. It's hardly surprising.

Its pedigree and elegant curved shape looks as beautiful in heritage homes as it does in modern properties. It can be used in the full range of window styles delivering exceptional flexibility, includes a wide range of colour and finish choices and has the widest range of ancillaries in the business. In short, it offers a new level of product versatility that's hard to beat.



A system that's made in Britain

The Spectus Ovolo System is designed for the British market and made in Britain. It gives us control of our supplies, their sources and their quality, not to mention helping us reduce emissions. Its system design and intelligent product features are suitable for all British properties delivering high-performance and exceptional style.



A system that delivers outstanding manufacturing quality

Our products are manufactured using some of the world's most advanced tooling and sophisticated machinery. The scale of our operation, our state-of-the-art facilities and warehousing combine to deliver outstanding quality and the reliability you need.



A system renowned for investment in continuous development

Our skilled and experienced team listens to feedback and continuously innovates to develop the products and advances the market needs. Whether it's performance, lifespan or sustainability, you can trust that we're leading the way in the industry, offering you a competitive advantage in the process.



A system that's backed with value-added service and support

The Spectus Ovolo System comes backed with the support that only comes from a business with the size and scale of Epwin Window Systems. It's a pedigree you can rely on knowing you are working with the industry's leader in cutting-edge system manufacture.



A truly British heritage

The Spectus Ovolo System is produced by Epwin Window Systems, the UK's largest systems house with a track record stretching back to nearly 50 years.

We offer the widest portfolio of fully integrated window and door systems, a choice of leading brands, with unrivalled expertise and support to grow your business.

We firmly believe in continuous investment in our production facilities and operations. Our approach means we are able to provide the levels of quality and reliability you have a right to expect.

Our products are designed and manufactured in Britain for the British market. We are active in trade and industry bodies and we take a leading stance in environmental initiatives. Our commitments mean you are able to rely on us to be a proactive partner that adds value to your business.

Because when you work with Epwin Window Systems you get more options and more possibilities.

**MADE IN
BRITAIN** 

The Spectus difference

Exceptional performance

The Spectus Ovolo System delivers an exceptional combination of performance, durability and style to give you the products you need to take your business forward. **Discover the strength of the Spectus Ovolo System.**



Impressive aesthetics

Our Ovolo profile curve is designed for elegant looks and clean joints.

The equal frame and bead sightlines give better aesthetics.

The fully integrated system gives you a complete range of products and ancillaries all designed to work perfectly together and provide an immaculate finish.



Powerful performance

5 glazing sizes: 24mm, 28mm, 36mm, 40mm and 44mm.

Triple glazed options with 40mm and 44mm glazing.

The 5-chamber system increases thermal performance.

The large reinforcement chambers give optimum strength under wind load parameters.

The system can achieve a Band 'A+' WER and U-values to 0.8 W/m²K.



Intelligent design

Drainage paths are carefully positioned for efficient routing.

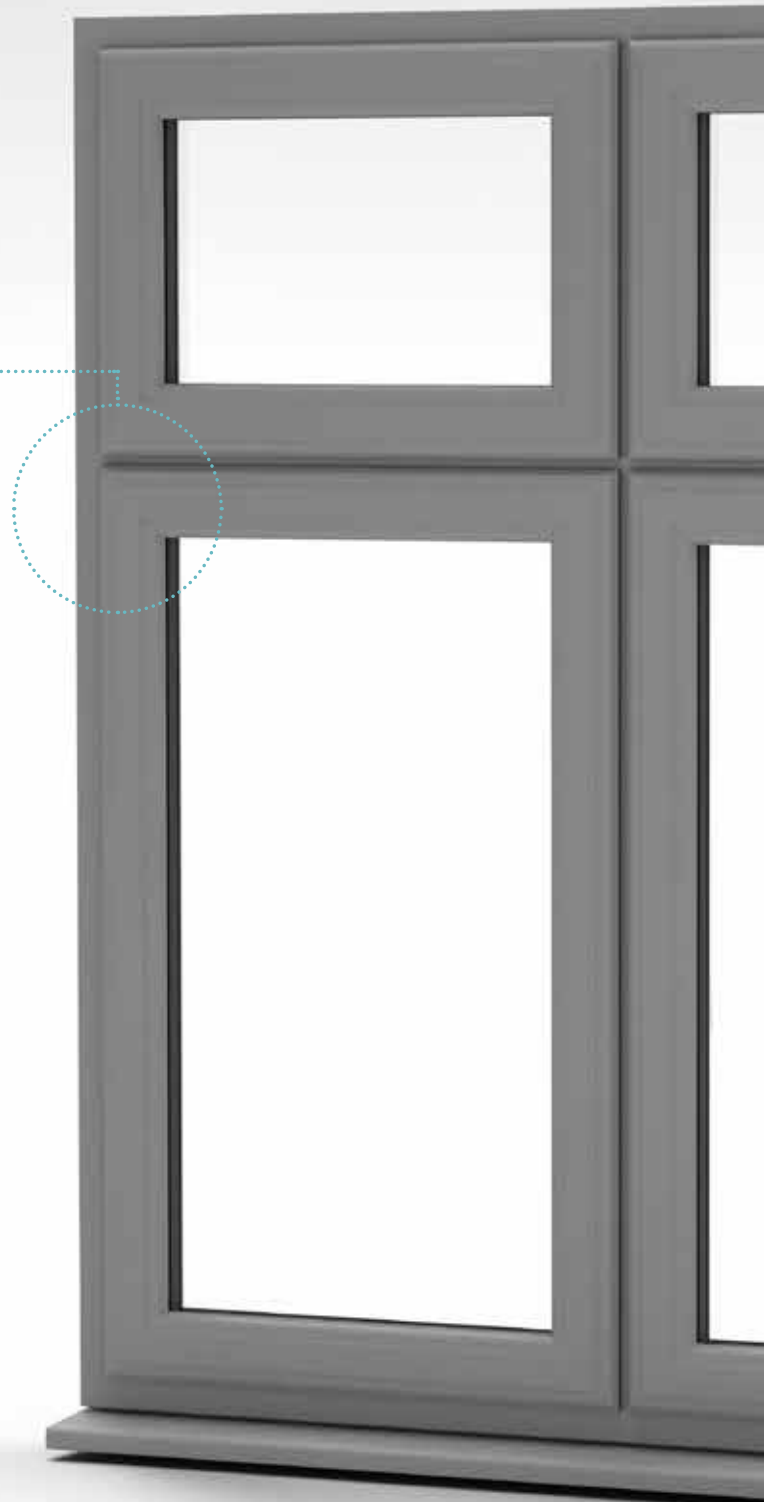
Co-extruded gaskets save time, eliminate corner gaps and eliminates 'shrink back'.

Knock-in beads enable speedy installation and easier glazing.

The profiles are designed for quick and easy insertion of reinforcing.

Location lugs allow welding with reinforcement in place.

Equal sash to frame overlaps across all products give a consistent rebate cavity and allow a good choice of hardware.



Spectus Casement Window System

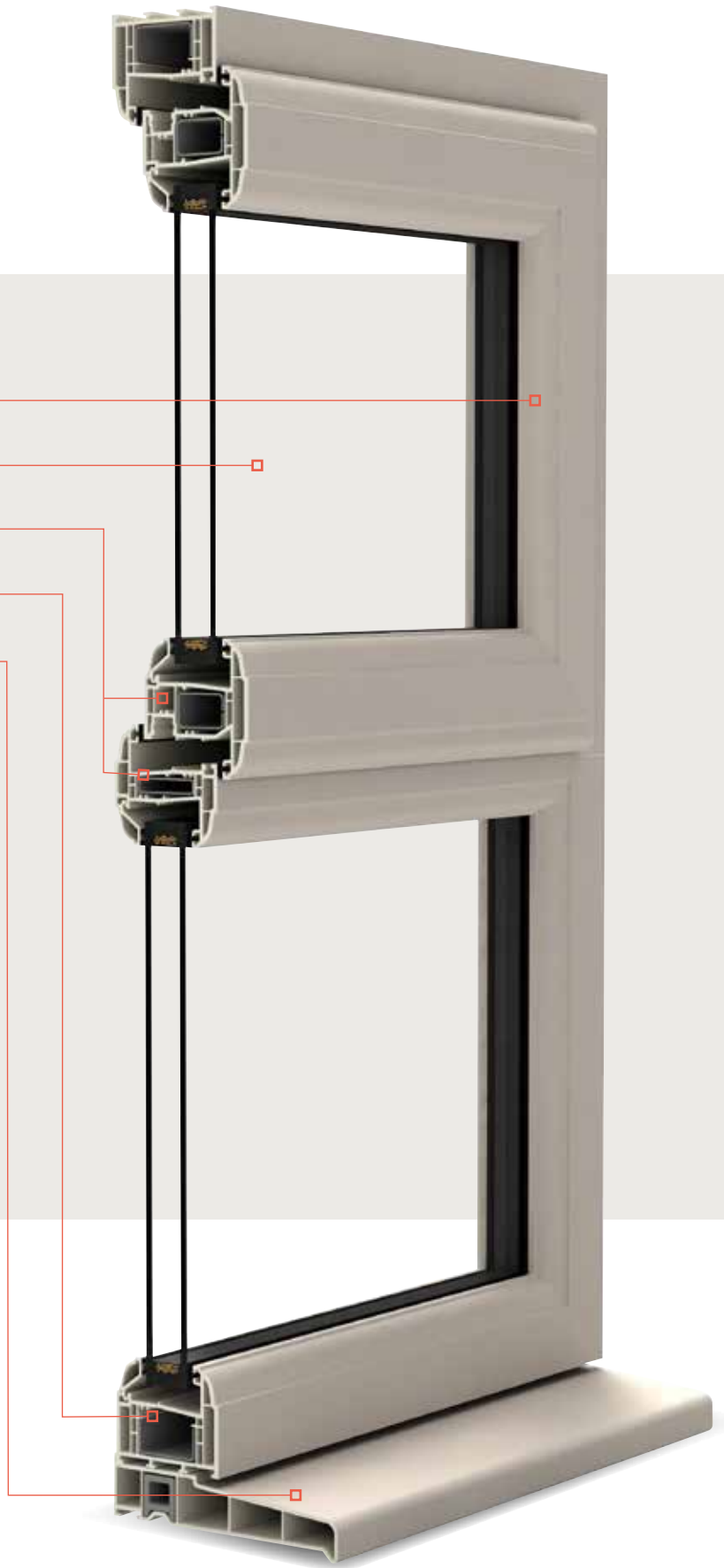
A design classic in every sense.

The Spectus Ovolo Casement Window is simple to fabricate and straightforward to install, with the graceful curves and product flexibility you'd expect. The Spectus Ovolo System is suitable for almost any size or layout of casement window and includes all the components for bay & bow windows and conservatories too.



Product features

- 1 Attractive ovolo edge
- 2 24, 28, 36, 40 & 44mm glazing options
- 3 5-chamber sash & outer frame
- 4 Optional RCM inserts available
- 5 85, 110, 150, 180, 225mm cill options



Spectus French Casement Window System

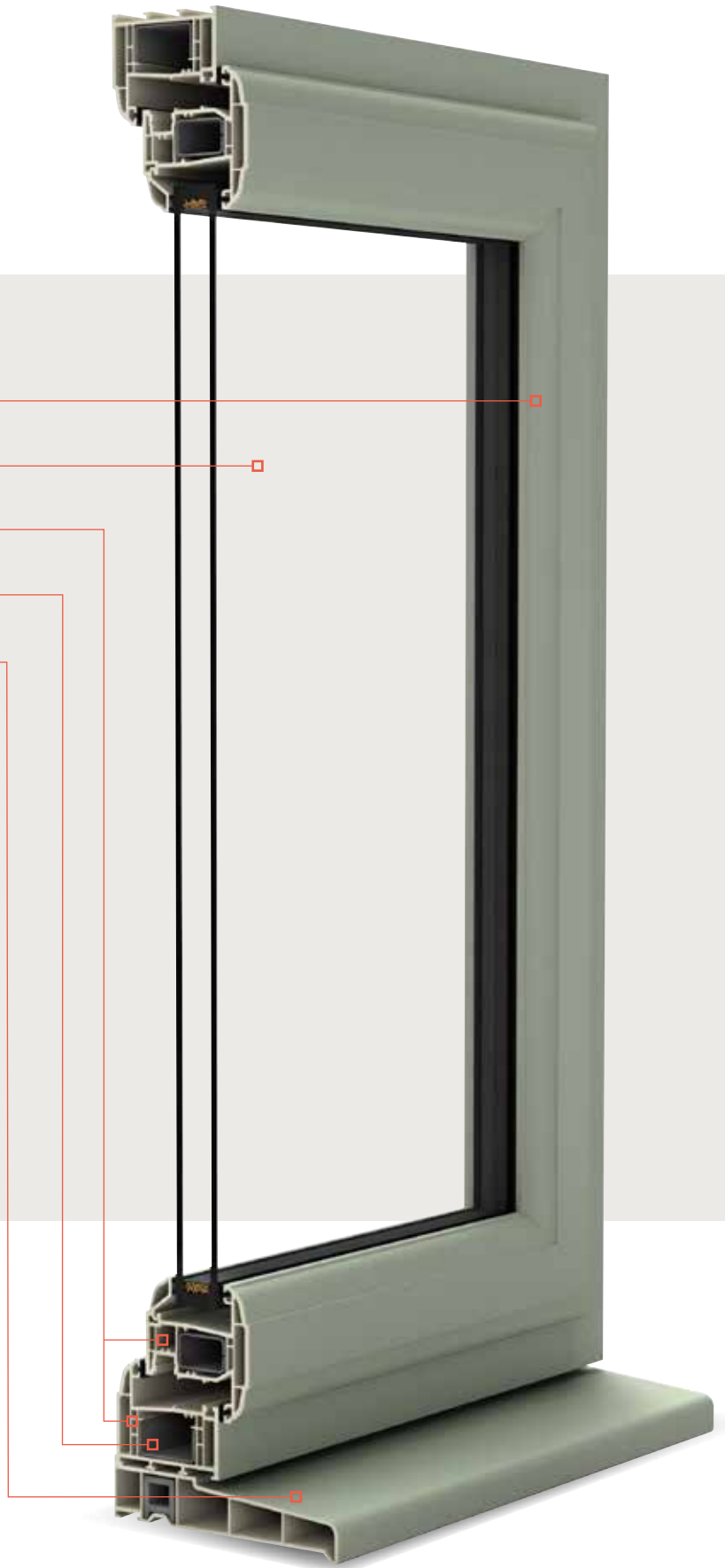
A continental style with practical benefits.

The Spectus Ovolo French Casement Window delivers a classic continental style that is perfect for recreating traditional timber window designs. The system can be used for French-style and double opening casements. Due to the intelligent window design with no central mullion, it provides unobstructed views.



Product features

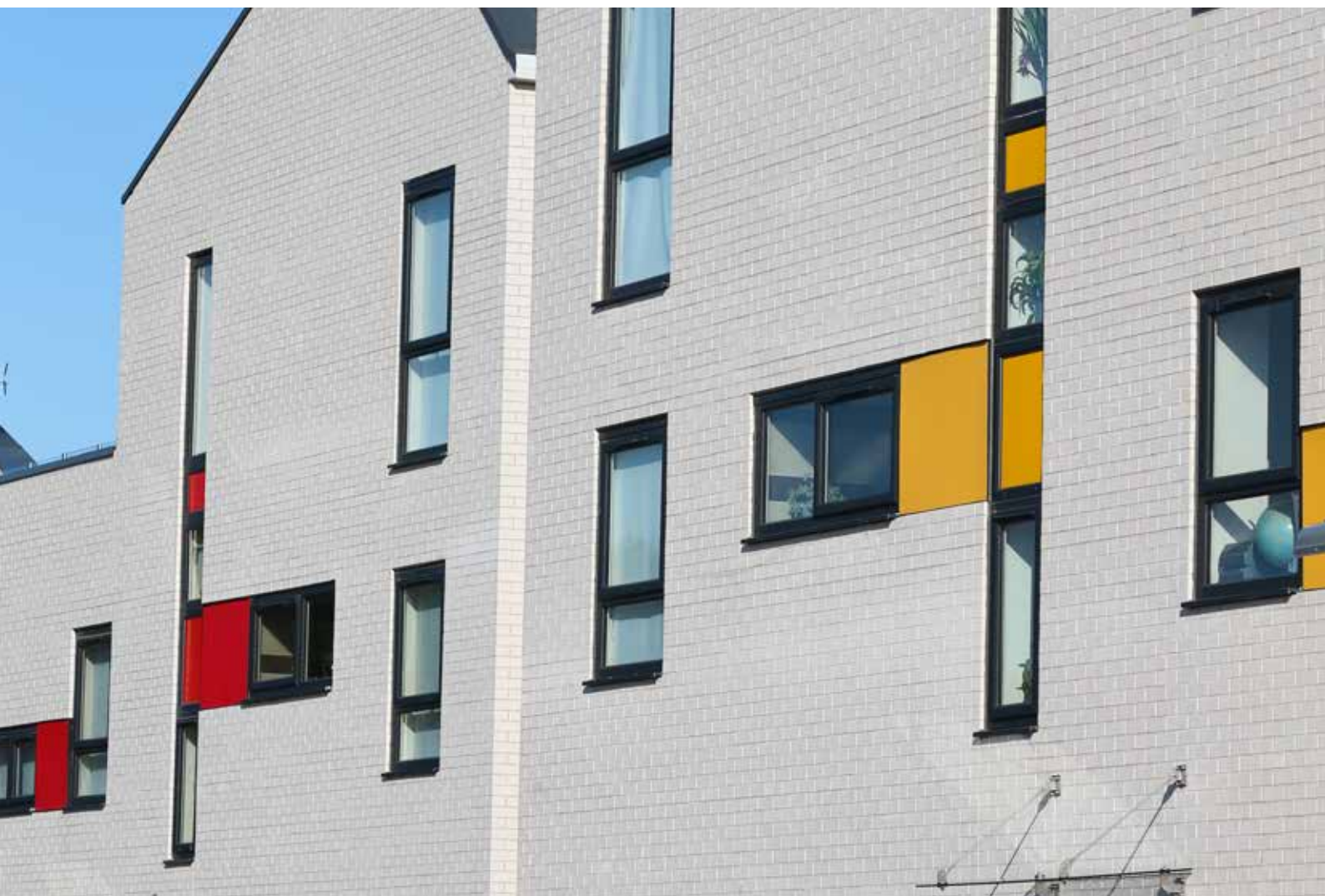
- 1 Attractive ovolo edge
- 2 24, 28, 36, 40 & 44mm glazing options
- 3 5-chamber sash & outer frame
- 4 Optional RCM inserts available
- 5 85, 110, 150, 180, 225mm cill options



Spectus Tilt & Turn Window System

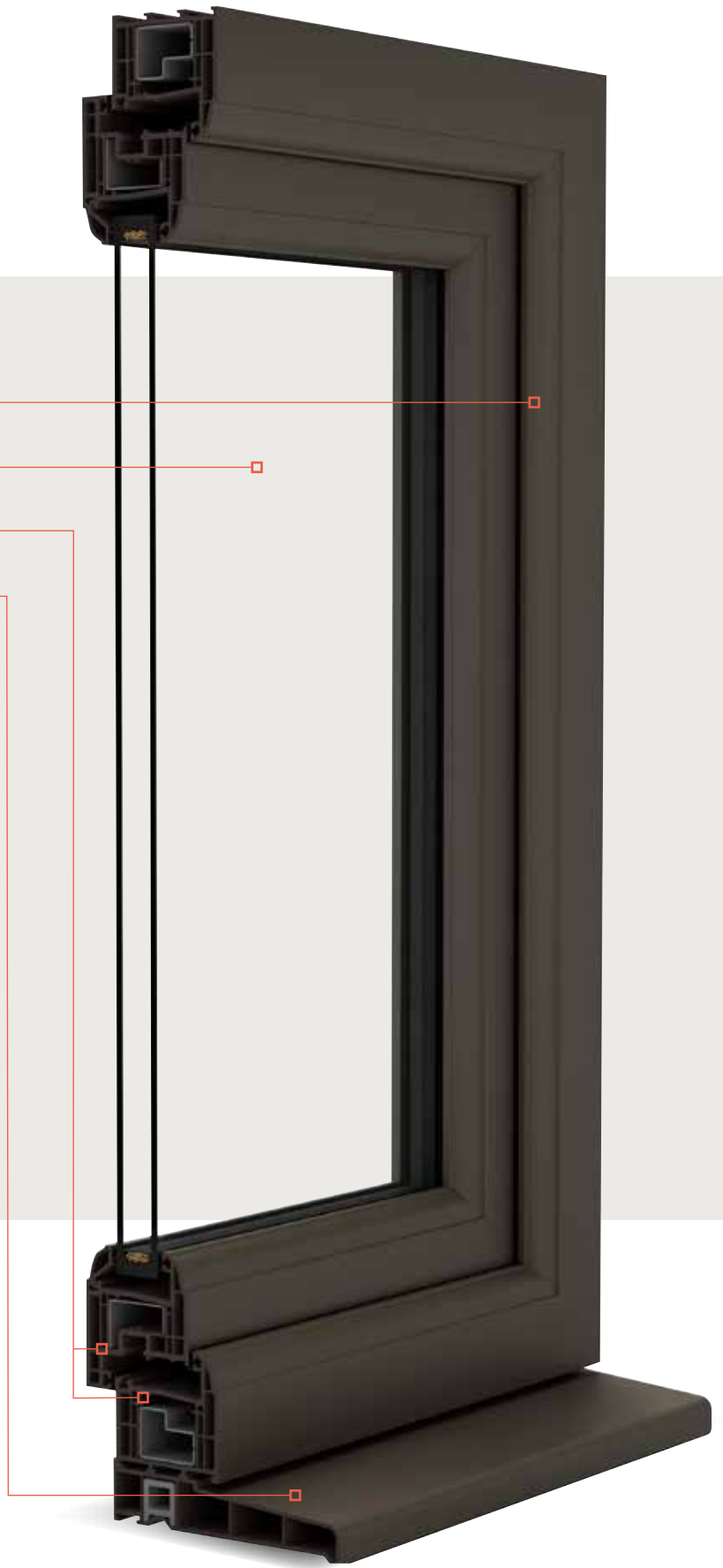
The commercial project solution.

The Spectus Ovolo Tilt & Turn Window brings the clean styling that is suitable for commercial projects and general high-rise window solutions. Advanced gearing makes it easy to operate, while intelligent design means there are seals that prevent water ingress, exceptional security features and multiple chambers that improve thermal performance.



Product features

- 1 Attractive ovolo edge
- 2 24, 28, 36, 40 & 44mm glazing options
- 3 5-chamber sash & outer frame
- 5 85, 110, 150, 180, 225mm cill options



Spectus Residential and French Door System

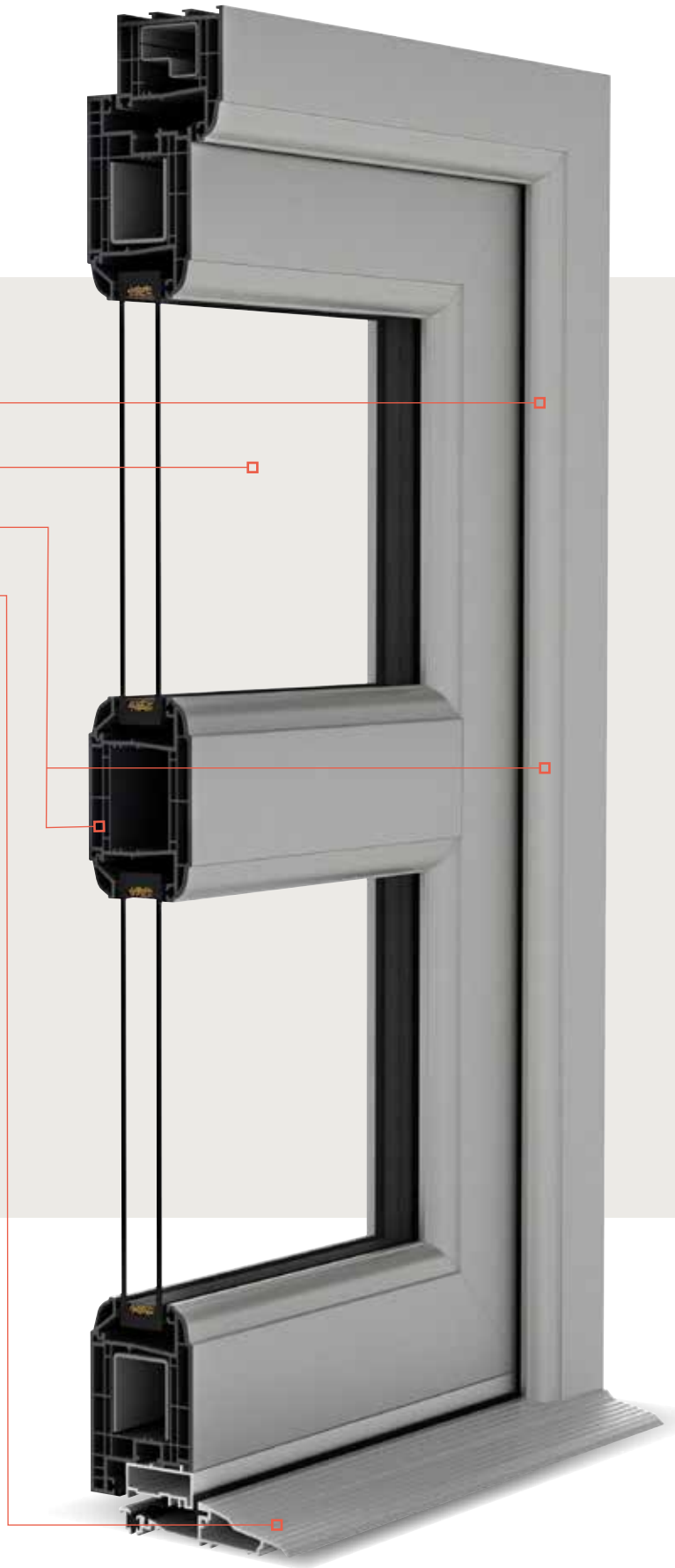
Create a complete project.

The Spectus Ovolo System includes a range of residential and French doors suitable for all types of projects. Packed with the same benefits as the window range, it allows you to create a streamlined, seamless project and deliver outstanding results every time.



Product features

- 1 Attractive ovolo edge
- 2 24, 28, 36, 40 & 44mm glazing options
- 3 5-chamber sash & outer frame
- 4 Part M compliant



Ancillaries

More ancillaries than any other system.

Thanks to our extensive range of ancillaries, the Spectus Ovolo System offers outstanding versatility. All our PVC-U ancillaries are guaranteed to colour match our main systems and are available in the same extensive choice of coloured and woodgrain foils. It all means that with the Spectus Ovolo System you can achieve a perfect project every time.

Thermal Inserts

Specifically designed for the Spectus Ovolo System, our thermal inserts are made from 100% recycled PVC-U. They are lightweight, easy and safe to work with, long lasting and highly insulating. Used together with traditional steel or aluminium reinforcements, the inserts have been designed to improve screw retention and ensure perfect hardware positioning. They work with sashes, transoms and mullions, and all sizes of outer frame. There's even an insert for use in door outer frames, which has a significantly increased wall thickness to support hinges and keeps.



Two-Part Cill

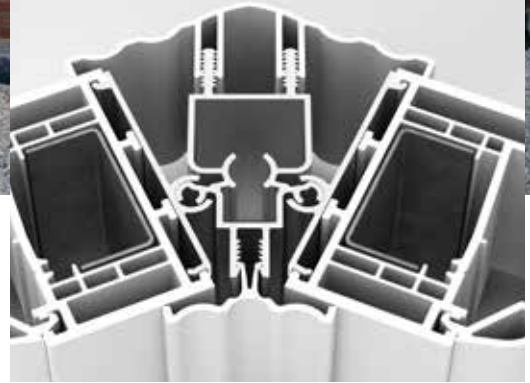
The Two-Part Cill is a simple yet effective adaptation that's the smart answer to fitting cills in high-traffic construction sites. The two-step process allows you to fit the cill receiver as part of the construction process and add the cill nose when the project nears completion. Available in 150mm and 180mm sizes, in a range of colours, the Two-Part Cill is the smart solution to eliminating damaged cills during construction.





Bays and Couplings

The range includes dedicated bay posts and poles, bay jacking, assemblies, coupling mullions and finishing trims. It means you can create any shape or component you need.



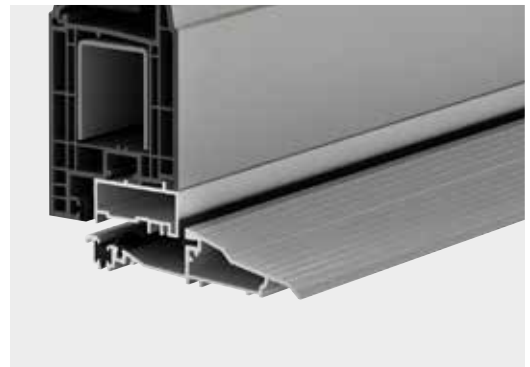
Extruded Ancillaries

The cill range runs from 85mm to 225mm. Frame packers are available at 15mm, 20mm, 35mm and 50mm. Also available are Eurogroove covers, head drips, stone-cill adaptors, odd-leg adaptors, drip bars and thermal barriers.



Thresholds

A full range of thresholds to suit every type of door is available, including outwards opening, dual operation, sub cill and Document "M" compliant low thresholds. Associated ancillaries such as infill bars, end cleats, seals and connectors are also available.



The Colour Collection

Our Colour Collection brings a wealth of design flexibility to every project.

It features an array of shades from modern classics such as Anthracite Grey and heritage hues such as Chartwell Green to the palettes of the future such as Claystone. Dual colour options are also available, bringing the option of different interior and exterior colours. Profiles are wrapped in our state-of-the-art colour production facility to ensure the quality of finish remains pristine.

Base appeal

To maximise your product offer further, we also offer complementary base colours on our foiled ranges to deliver higher-value aesthetics. These include white, grey, brown, tan and cream and are designed to perfectly complement our foils and deliver the next level in coloured profile aesthetics.

Stock Colours

Premium



Anthracite Grey /
White (PVC-U)
(White Base)



Anthracite Grey /
Anthracite Grey
(Grey Base)



Rosewood /
White (PVC-U)
(White Base)



Rosewood /
Rosewood
(Brown Base)



Black Brown /
White (PVC-U)
(White Base)



Black Brown /
Black Brown
(Brown Base)



Light Oak /
White (PVC-U)
(White Base)



Light Oak /
Light Oak
(Tan Base)

Premium Plus



Cream /
White (PVC-U)
(White Base)



Cream /
Cream
(Cream Base)



White Woodgrain /
White Woodgrain
(White Base)

Fast Track Colours

Premium



Anthracite Grey Smooth /
White (PVC-U)
(White Base)



Anthracite Grey Smooth /
Anthracite Grey Smooth
(Grey Base)



Chartwell Green/
White (PVC-U)
(White Base)



Agate Grey/
White (PVC-U)
(White Base)



Slate Grey/
White (PVC-U)
(White Base)



Sage Smooth /
White (PVC-U)
(White Base)



Pebble Grey /
White (PVC-U)
(White Base)



Claystone /
White (PVC-U)
(White Base)



Made to Order Colours

Made to Order Colours are available with white PVC-U internal faces, or foiled on both sides on a complementary base colour for better looking installations.

Cream Base	Tan Base	Brown Base	White Base	Grey Base	
Cream	Irish Oak	AnTeak	White	Black Ulti-Matt	Slate Grey
Claystone	Honey Oak Super-Matt*	Swamp Oak	Dark Red	Silver D Smooth*	Anthracite Grey
Pebble Grey	Light Oak	Rosewood	Steel Blue	Hazy Grey	Anthracite Grey Smooth
Windsor	Pyrite	Black Brown	Dark Green	Kensington Grey	
Sage Smooth		Flemish Gold Smooth*		Buckingham Grey	
Agate Grey				Basalt Grey Smooth	
Chartwell Green				Slate Grey Finesse	

Range of reliable hardware

Our hardware brand, Safeware, is one of the UK's leading suppliers to the industry, offering a complete range, including trusted household names like Yale.



A multitude of benefits.

We know that quality hardware more than delivers return on investment in reduced call backs, maintenance and performance.

And when you order your hardware from us you can be confident that all products are compatible with Epwin Window Systems, putting an end to checking specifications or calling suppliers with queries.

You can order profiles and hardware on the same order and the same delivery. It streamlines admin, accounting and goods inwards processes and saves time.

Finally, high stock levels and rapid delivery from our Telford warehouse mean there's no need to worry about product availability or delays to schedules.



Spectus gives you peace of mind

As the UK's leading systems brand, Epwin Window Systems holds all the accreditations you need to meet your requirements.



BS EN ISO 9001
BSI Registered firm scheme: Quality Management Systems.



BS EN ISO 14001
Manufactured under an ISO 14001 Registered Environmental Management System.



BS ISO 45001
Occupational Health and Safety Management Systems.



BS EN 12608/PAS 24
Enhanced Security Window System Supplier.



BS EN 12608/PAS 24
Enhanced Security Door System Supplier.



BS EN 12608
PVC-U Profiles for the Fabrication of Windows and Doors.



BS 8529/PAS 24
Enhanced Security Composite Door System Supplier.



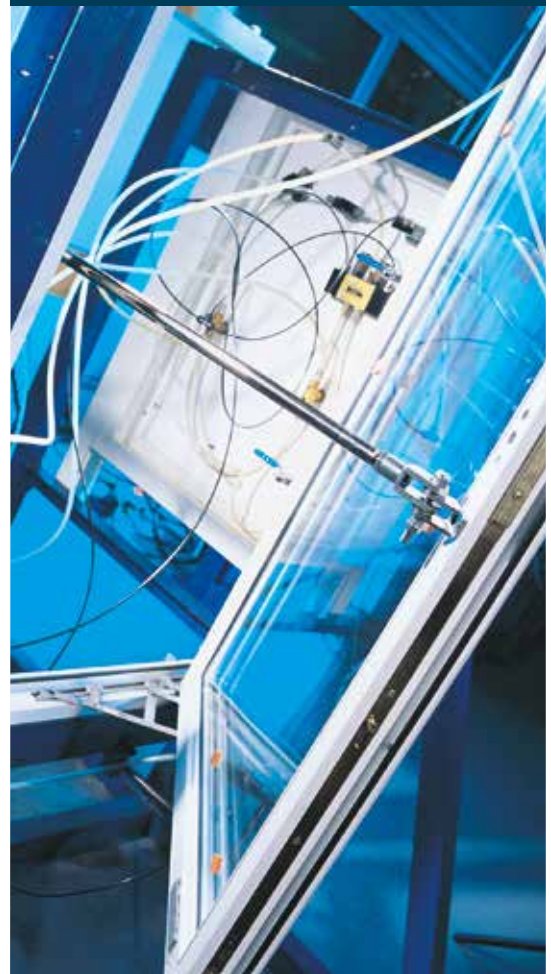
Secured by Design
The UK Police initiative supporting the principles of 'designing out crime' by use of crime prevention and security standards.



VinylPlus
A labelling scheme to identify the most sustainable and high-performance PVC-U products.

Tested to the highest standards

Every aspect of the Epwin Window Systems range is continually tested and assessed to ensure it offers excellence in every respect. All Spectus Ovolo System products meet current Building Regulations as standard and many can provide solutions far above these requirements. No matter how demanding your project, Spectus Ovolo System products will deliver.



Security benefits

Safety and security come as standard with the Spectus Ovolo System.

The Spectus Ovolo System can accommodate the latest high-security hardware, meets the standards of PAS 24:2016, exceeds the requirements of Building Regulations and can be fabricated to meet Secured by Design criteria. Specific safety features and adaptations are also a possibility – our technical experts are on hand to help you design exactly what's required.

Secured by Design



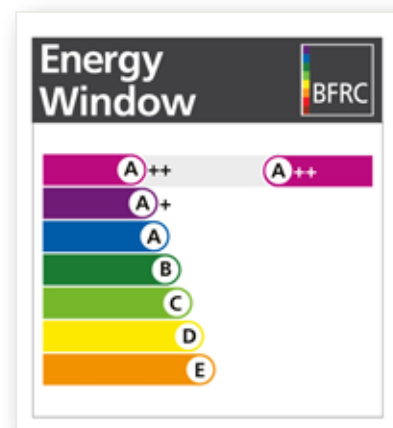
Official Police Security Initiative



Thermal efficiency

Impressive thermal efficiency is easy with the Spectus Ovolo System.

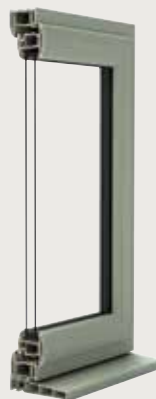
The Spectus Ovolo System can achieve energy ratings up to band A++ and U-values of 0.8 W/m²K. Triple glazing is straightforward too. Our double/triple glazing to BS6262 can be supplied using 24-44mm insulating glass units depending on thermal and acoustic performance requirements. With more options, it's easier to offer the exact WER specification your customer needs. You can even choose to combine double or triple glazing in the same project to make the best use of passive solar gain or to add extra insulation to rooms with large glass expanses.



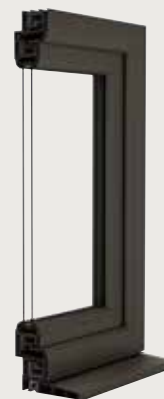
Spectus Ovolo System Product Data



Casement Window



French Casement Window



Tilt & Turn Window

PERFORMANCE & ACCREDITATION	Top Hung		Side Hung	
	U-value (double glazing)	1.2 W/m ² K		1.2 W/m ² K
U-value (triple glazing)	0.8 W/m ² K		0.8 W/m ² K	0.8 W/m ² K
Energy Rating (WER)	A++		A+	A++
Green Guide Rating #	A		A	A
Acoustic Performance-various options depending on specification-RW (C;Ctr)	41		41	37
Air Tightness (Pa)	Class 2 (300pa)	Class 3 (600pa)	N/A	Class 4 (600pa)
Water Tightness (Pa)	Class 9A (600pa)	Class 9A (600pa)	N/A	Class 7A (300pa)
Wind Loading (Pa)	Class A4 (1600pa)	Class A5 (2000pa)	N/A	Class A4 (1600pa)
Security	PAS 24		N/A	PAS 24
PAS 24 Size Limits	1240 x 1240	740 x 1340	N/A	1386 x 1500
Secured by Design (SBD)	✓			✓

CONFIGURATIONS				
Top Hung Outward	✓			
Side Hung Outward	✓		✓	
Fixed Light	✓		✓	✓
Multilight	✓		✓	✓
Tilt & Turn			✓	

SASH WEIGHT & SIZE LIMITS				
Maximum Sash Weight*	50 kg	40 kg	40 kg	130 kg
Maximum Sash Size (mm)	1240 x 1240	740 x 1340	740 x 1340	1426 x 1540

SYSTEM FEATURES				
System Depth (mm)	70		70	70
Multipoint Locking	✓		✓	✓
Glazing Options	Internally Beaded		Internally Beaded	Internally Beaded
Glazing Thickness (mm)	24/28/36/40/44		24/28/36/40/44	24/28/36/40/44



Residential Doors



French Doors

PERFORMANCE & ACCREDITATION				
U-value (double glazing)	1.2 W/m ² K		1.3 W/m ² K	
U-value (triple glazing)	0.8 W/m ² K		0.9 W/m ² K	
Energy Rating (DSER)	A++		A+	
Green Guide Rating #	A		A	
Acoustic Performance-various options depending on specification-RW (C;Ctr)	41		41	
Air Tightness (Pa)	Class 3 (600Pa)	Class 2 (300Pa)	Class 3 (600Pa)	Class 2 (300Pa)
Water Tightness (Pa)	Class 5A (200Pa)	Class 5A (200Pa)	Class 3A (100Pa)	Class 2A (150Pa)
Wind Loading (Pa)	Class C4 (1600Pa)	Class C2 (800Pa)	Class A4 (1600Pa)	Class A3 (1200Pa)
Security	PAS 24		PAS 24	
PAS 24 Size Limits (mm)	950 x 2100	1000 x 2151	963 x 2056	1000 x 2151
Secured by Design (SBD)	✓		✓	
CONFIGURATIONS				
Single Door	✓			
Double Door			✓	
Fixed Light	✓		✓	
SASH WEIGHT & SIZE LIMITS				
Maximum Sash Weight*	120 kg		120 kg	
Maximum Sash Size (mm)	1000 x 2200		1000 x 2200	
SYSTEM FEATURES				
System Depth (mm)	70		70	
Multipoint Locking	✓		✓	
Glazing Options	Internally Beaded		Internally Beaded	
Glazing Thickness (mm)	24/28/36/40/44		24/28/36/40/44	

* Hardware dependent

For more information about Epwin Window Systems products visit
www.epwinwindowssystems.co.uk



Epwin[™]
window systems

Epwin Window Systems is a manufacturer of PVC-U and aluminium profile systems, supplied to independent manufacturers and installers who contract to install windows, doors and conservatories. Epwin Window Systems cannot be held accountable for manufacture or installation by independent companies. All information in this publication is provided for guidance only and is given in good faith. As it is company policy to continually improve products, methods and materials, changes of specification may be made from time to time without prior notice. This statement does not affect your statutory rights. © Epwin Window Systems. Part of the Epwin Group Plc. EWS17505